

UNDERCOVER LED KIT

10-16VDC



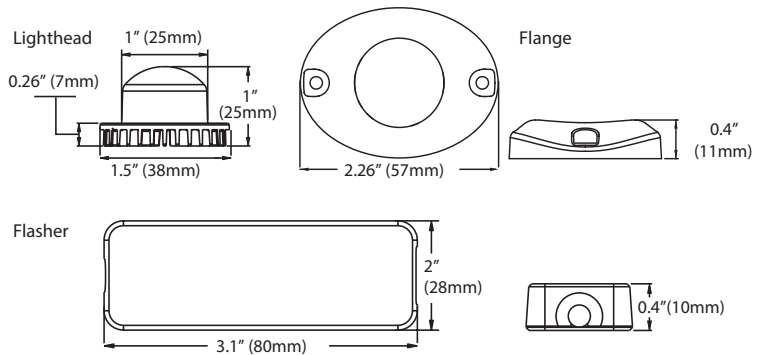
FEATURES

- Voltage Input 10~16VDC.
- U.F.O System (Universal Flashing Option)
- Built-in 19 Selectable Flash Patterns.
- LEDs rated to 100,000 hours of operation.
- Non-volatile memory recalls last flash pattern used at power up.
- Multiple units are synchronizable, and can flash simultaneously or alternately.
- Reverse polarity protection.
- Weatherproof and vibration resistant for external or internal use.
- Direct replacement of Xenon bulbs.
- Flange option for exterior surface mounting.
- 45° light angle for superior intersection lighting.

SPECIFICATIONS

- Meets:** SAE (color and flash characteristics)
- LED Element:** High intensity LED x 6pcs per head.
- Warning Patterns:** 19 Flash Patterns
- Operates Voltage:** 10-16 VDC
- Ave. Current:** 0.9A @12.8VDC (varies with flash pattern)
- Ave. Power:** 12 Watts (varies with flash pattern)
- Max. Current:** 1.8A @12.8VDC
- Max. Power:** 23.5Watts
- Wires:** Red-Vcc: 185cm / 20AWG
Black-GND: 185cm / 20AWG
Yellow-Flash Patterns & Sync: 185cm / 20AWG
White-Phase: 185cm / 20AWG
- Cable Lengths:** Output : 86cm / 22AWG
Extension : 200cm / 22AWG
Lighthead : 21cm / 22AWG
- Fuse Recommend:** 5A
- Multi-Unit Synchronization:** Over 15 units
- Max. Cable Length:** Controller Cable = 600cm
Lighthead Cable = 800cm

DIMENSIONS



FLASH PATTERN

FP#	Flash Patterns		
0	Random (default)	10	Double (all)
1	Single (split)	11	Quad (all)
2	Double (split)	12	Quint (all)
3	Quad (split)	13	Mega (all)
4	Quint (split)	14	Ultra (all)
5	Mega (split)	15	Single-Quad (all)
6	Ultra (split)	16	Single H/L (all)
7	Single-Quad (split)	17	Steady 2 (california)
8	Single H/L (split)	18	Steady 4 (all)
9	Single (all)		

*SPLIT=Head1 alternate Head2 *ALL=all LEDs on



10, The Vale Industrial Estate, Southern Road, Aylesbury,
Buckinghamshire, HP19 9EW, United Kingdom.
web: www.cell2.com
email: sales@cell2.com
tel: +44 (0)2033 285 494